

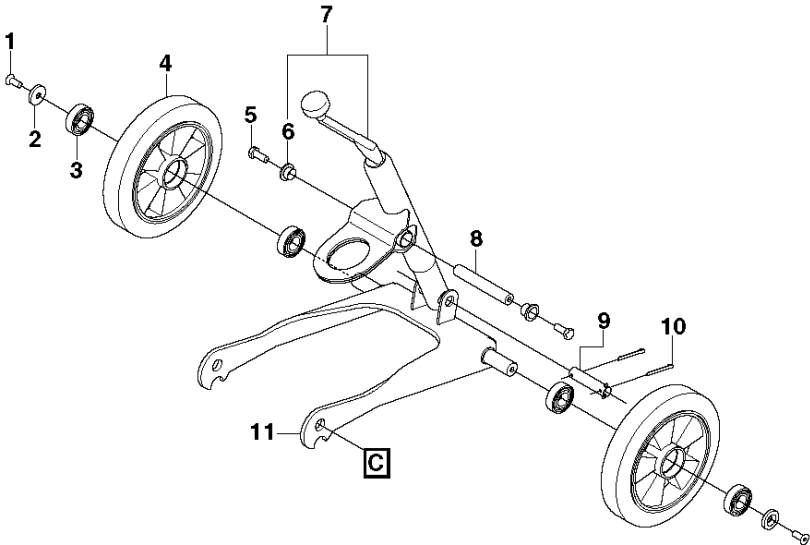


SPARE PARTS LIST

SURFACE PREPARATION EQUIPMENT

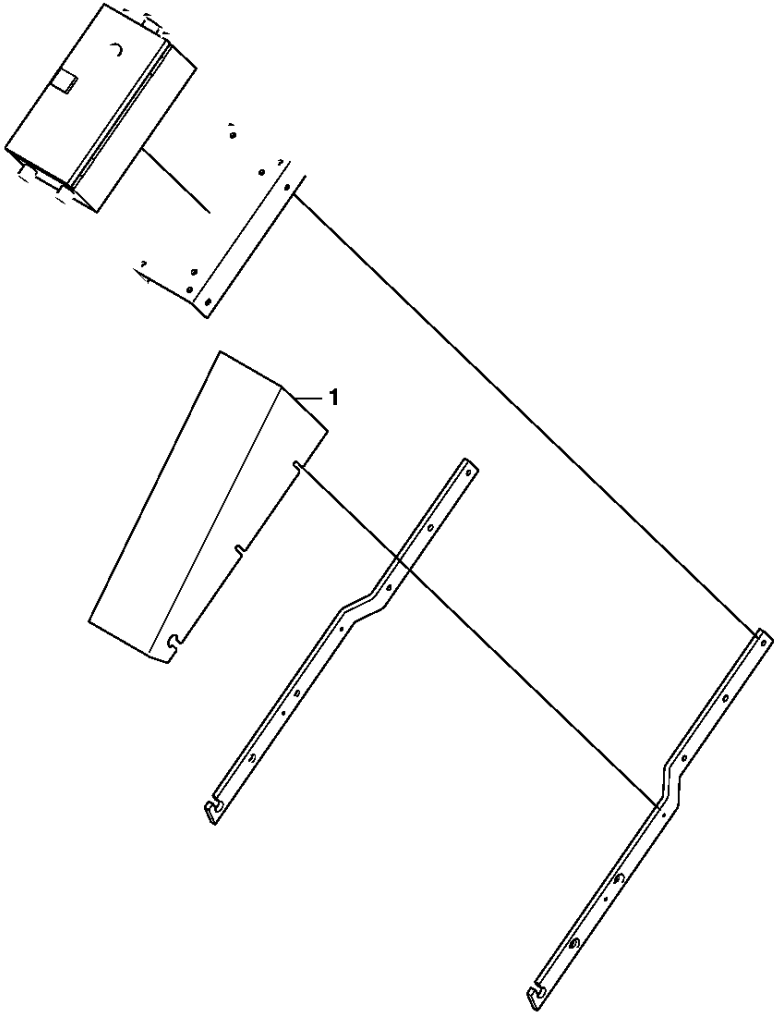
PG 280, serial number 1-147, 2008-09

B



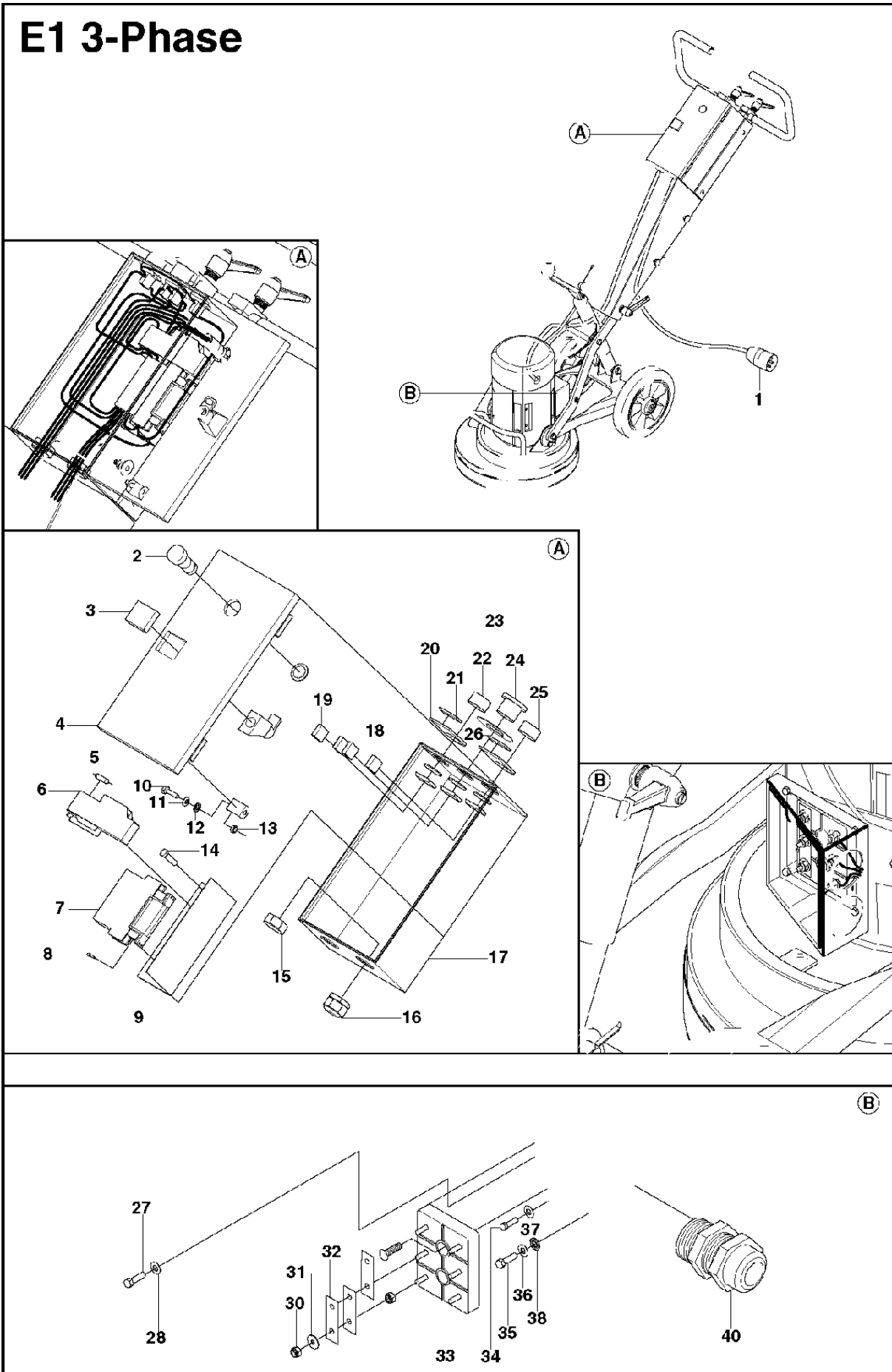
Ref	Part No	Description	Remark	QTY KIT
1	725 64 93-55	SCREW IHCSFM		2
2	510 21 51-01	WASHER		2
3	510 21 49-01	WHEEL		2
4	522 51 93-01	BALL BEARING		4
5	725 64 93-55	SCREW IHCSFM		2
6	510 21 75-01	BUSHING		2 7
7	510 21 68-01	ADJUSTMENT SCREW		1
8	510 21 77-01	SHAFT PIVOT		1
9	510 21 57-01	LOCKING PIN		1
10	721 62 18-01	PEN		2
11	510 21 43-01	CHASSIS		1

D



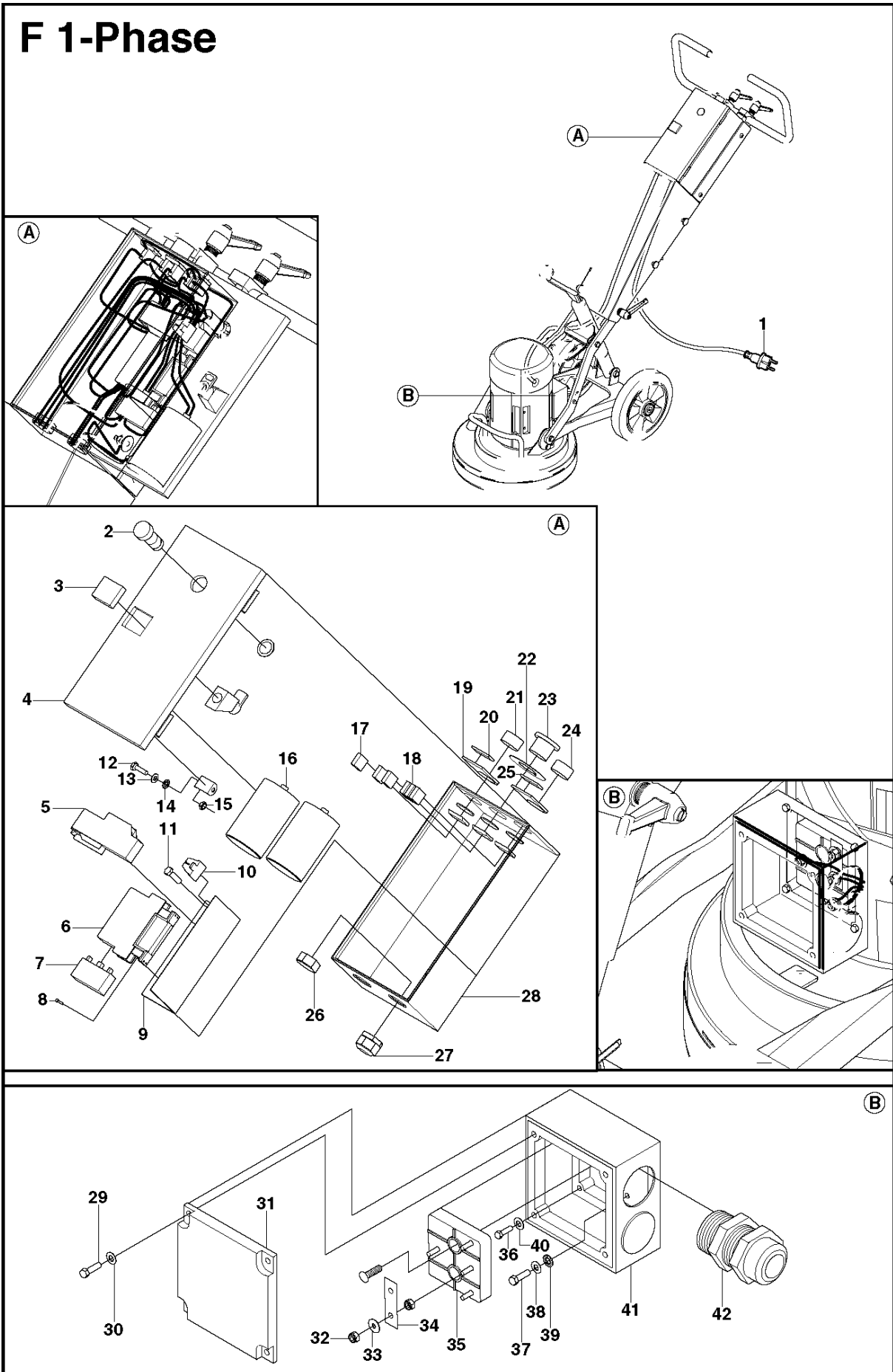
Ref	Part No	Description	Remark	QTY KIT
1	510 22 81-01	DUST COVER		1

E1 3-Phase



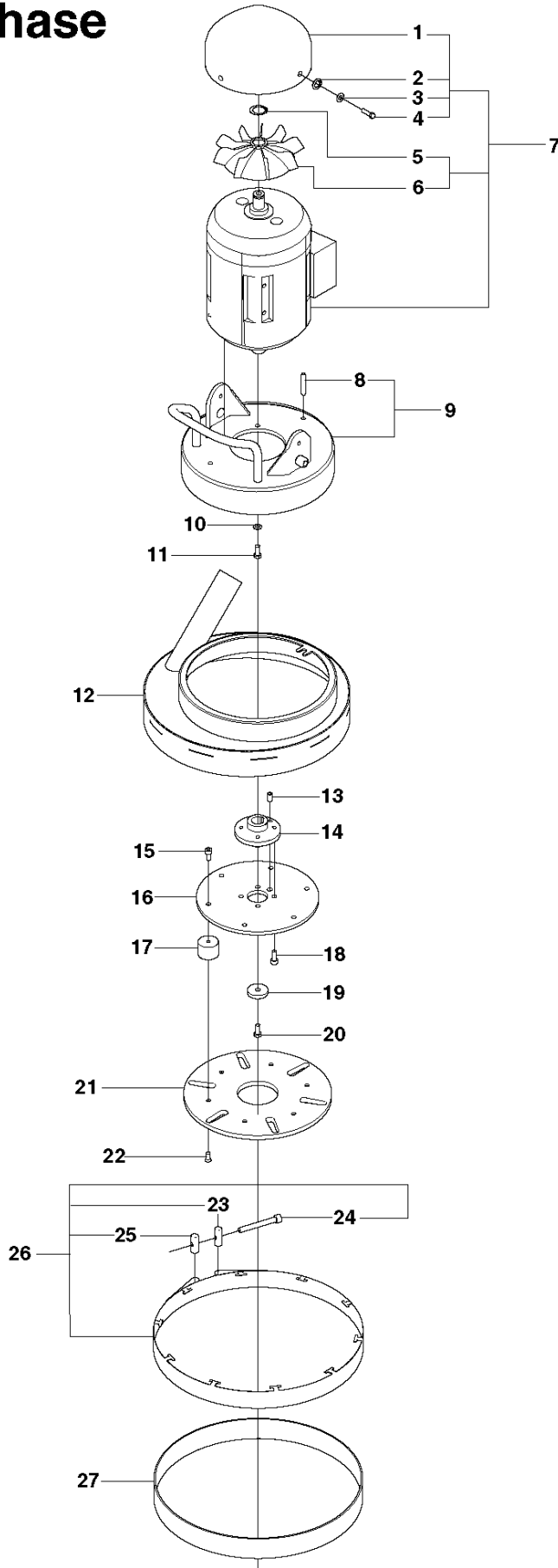
Ref	Part No	Description	Remark	QTY	KIT
1	510 43 38-01	PLUG		1	
2	510 43 48-01	LED		1	
3	516 06 21-01	LOCK		1	
4	516 06 22-01	LID		1	
5	516 06 23-01	RESISTOR		1	
6	579 27 63-01	PROTECTION		1	5
7	579 27 60-01	CONTACTOR		1	
8	723 12 89-51	SCREW SLCHM		4	
9	516 06 24-01	SHEET		1	
10	725 23 68-71	SCREW EHHM		1	
11	734 11 52-01	WASHER		2	
12	735 21 53-01	LOCKWASHER		2	
13	731 23 16-01	HEXAGON NUT		2	
14	724 13 64-51	SCREW CRPANM		2	
15	510 43 18-01	NUT		2	
16	510 43 17-01	CABLE GROMMET		2	
17	525 63 82-01	ELECTRIC BOX	Includes box and lid	1	
18	510 43 15-01	CONTACT PLATE		1	
19	510 43 14-01	CONTACT PLATE		3	
20	510 43 30-01	HOLDER		2	
21	510 43 31-01	SIGN		1	
22	510 43 11-01	PUSH BUTTON		1	
23	510 43 16-01	SIGN		1	
24	510 43 13-01	PUSH BUTTON		1	
25	510 43 12-01	PUSH BUTTON		1	
26	510 43 32-01	SIGN		1	
27	725 23 37-71	SCREW EHHM		2	
28	516 06 29-01	LOCKWASHER		2	
30	731 23 14-01	HEXAGON NUT		12	
31	734 11 46-01	WASHER		6	
32	516 06 31-01	CONNECTION PLATE		3	
33	516 06 33-01	TERMINAL BLOCK		1	
34	725 23 29-71	SCREW EHHM		4	
35	725 23 66-71	SCREW EHHM		1	
36	734 11 52-01	WASHER		1	
37	516 06 29-01	LOCKWASHER		4	
38	735 21 53-01	LOCKWASHER		1	
40	521 88 50-01	CABLE GROMMET		1	

F 1-Phase

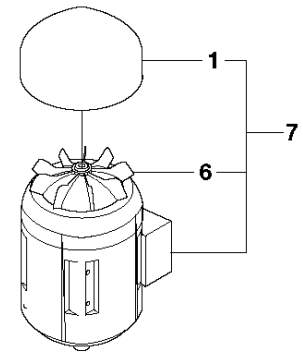


Ref	Part No	Description	Remark	QTY KIT
1	510 43 37-01	PLUG		1
2	510 43 48-01	LED		1
3	516 06 21-01	LOCK		1
4	516 06 22-01	LID		1
5	510 43 41-01	OVERLOAD PROTECTION		1
6	510 43 09-01	CONTACTOR		1
7	510 43 49-01	TIMER		1
8	723 12 89-51	SCREW SLCHM		4
9	516 06 24-01	SHEET		1
10	510 43 34-01	TERMINAL BLOCK		1
11	724 13 64-51	SCREW CRPANM		2
12	725 23 68-71	SCREW EHHM		1
13	734 11 52-01	WASHER		2
14	735 21 53-01	LOCKWASHER		2
15	731 23 16-01	HEXAGON NUT		2
16	510 43 33-01	CAPACITOR		2
17	510 43 14-01	CONTACT PLATE		3
18	510 43 15-01	CONTACT PLATE		3
19	510 43 30-01	HOLDER		2
20	510 43 31-01	SIGN		1
21	510 43 11-01	PUSH BUTTON		1
22	510 43 16-01	SIGN		1
23	510 43 13-01	PUSH BUTTON		1
24	510 43 12-01	PUSH BUTTON		1
25	510 43 32-01	SIGN		1
26	510 43 18-01	NUT		2
27	510 43 17-01	CABLE GROMMET		2
28	510 43 07-01	ELECTRIC BOX		1
29	521 88 80-01	SCREW		4
30	734 11 36-01	WASHER		4
31	521 88 81-01	LID		1
32	731 23 12-01	HEXAGON NUT		8
33	734 11 36-01	WASHER		4
34	521 88 82-01	CONNECTION		1
35	521 88 83-01	TERMINAL BLOCK		1
36	724 12 91-51	SCREW CRPANM		4
37	521 88 84-01	LOCKWASHER		4
38	724 12 87-51	SCREW		1
39	734 11 36-01	WASHER		1
40	735 21 36-01	LOCKWASHER		1
41	521 88 85-01	ELECTRIC BOX		1
42	521 88 86-01	CABLE GROMMET		1

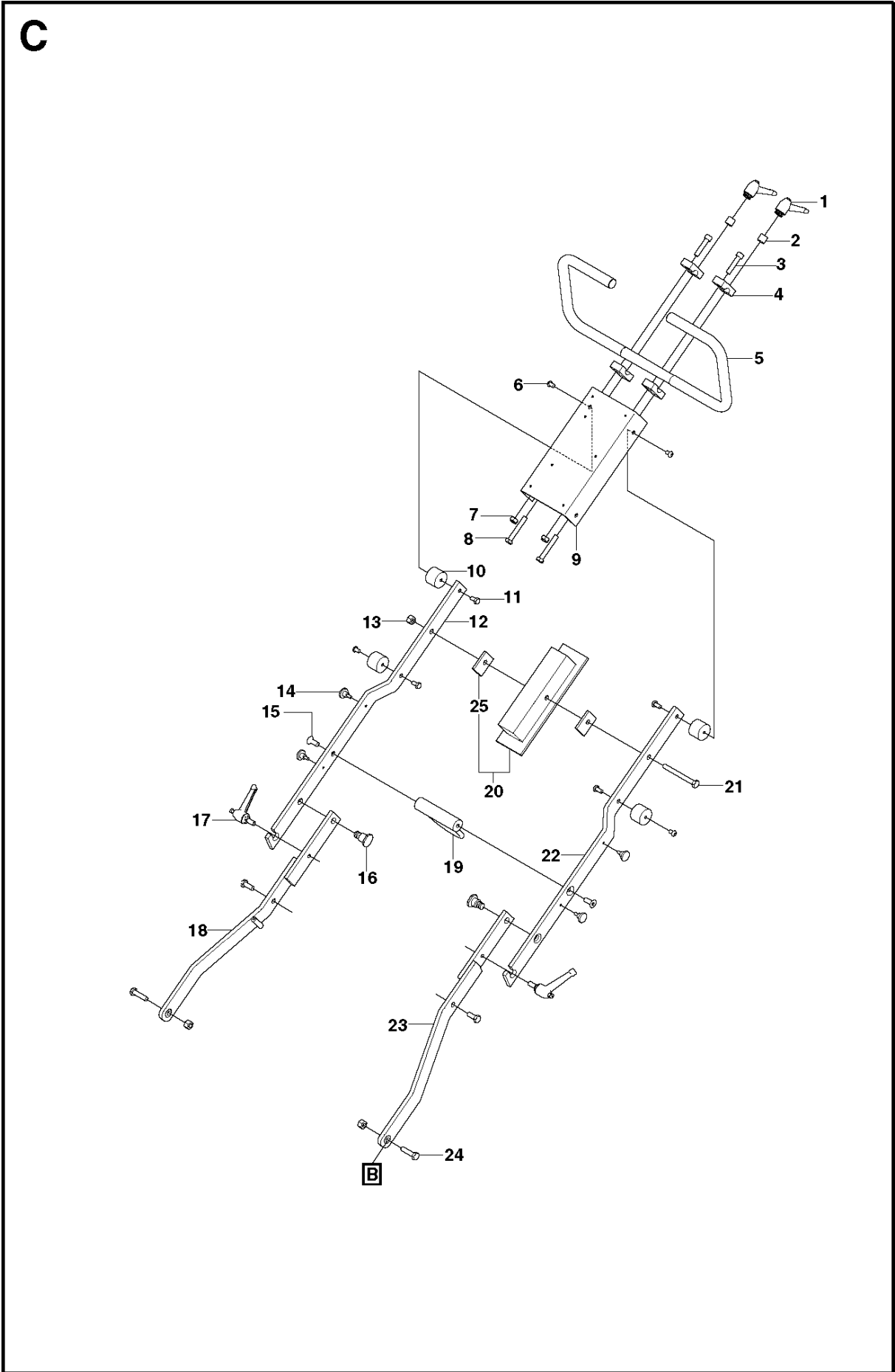
A 3-Phase



Single Phase



Ref	Part No	Description	Remark	QTY	KIT
1	522 48 68-01	FAN COVER	Single Phase	1	7
1	522 48 67-01	FAN COVER	3-Phase	1	7
2	522 46 42-01	WASHER		4	7
3	522 46 40-01	LOCKWASHER		4	7
4	725 23 25-77	SCREW EHHM		4	7
5	735 31 28-00	CIRCLIP		1	7
6	522 48 70-01	IMPELLER	3-Phase	1	7
6	522 48 71-01	IMPELLER	Single Phase	1	
7	510 20 84-01	MOTOR	3-Phase	1	7
7	510 43 50-01	MOTOR	Single Phase	1	7
8	721 43 85-01	PEN		1	9
9	510 20 90-01	MOTOR BRACKET		1	9
10	734 11 63-71	WASHER		1	
11	725 54 55-01	SCREW IHSCM		1	
12	510 21 04-01	DUST COVER		1	
14	510 21 33-01	HUB	3-Phase	1	
13	721 44 09-01	PEN		1	
14	510 43 51-01	HUB	Single Phase	1	
15	725 54 49-55	SCREW IHSCM		6	
16	510 21 30-01	ATTACHMENT PLATE		1	
17	510 21 31-01	DAMPER		6	
18	725 55 07-55	SCREW IHSCM		4	
19	510 21 35-01	WASHER		1	
20	725 24 95-71	SCREW EHHM		1	
21	510 22 13-01	HOLDER		1	
22	725 64 49-55	SCREW IHCSFM		6	
23	510 21 28-01	PEN		1	26
24	725 55 09-55	SCREW IHSCM		1	26
25	510 21 27-01	PEN		1	26
26	510 21 18-01	RING FASTENER		1	26
27	510 21 02-01	RUBBER RING		1	26



Ref	Part No	Description	Remark	QTY	KIT
1	510 24 48-01	HANDLE		2	
2	510 22 96-01	SPACER		2	
3	725 55 00-55	SCREW IHSCM		2	
4	510 22 93-01	BRACKET		4	
5	510 22 94-01	HANDLE		1	
6	510 36 15-01	SCREW IHPANM		4	
7	510 36 17-01	NUT		2	
8	725 25 04-51	SCREW EHHM		2	
9	510 22 88-01	FRAME		1	
10	510 22 78-01	DAMPER		4	
11	725 24 49-71	SCREW EHHM		4	
12	510 22 69-01	FORK		1	
13	732 25 20-01	HEXAGON LOCKING NUT		3	
14	510 36 16-01	SCREW		4	
15	725 64 93-55	SCREW IHCSFM		2	
16	510 22 84-01	BUSHING		2	
17	510 24 44-01	HANDLE		2	
18	510 21 60-01	ARM		1	17
19	510 22 70-01	HOSE CLIP		1	
20	510 22 73-01	COUNTERWEIGHT		1	
21	725 25 11-71	SCREW EHHM		1	
22	510 22 68-01	FORK		1	
23	510 21 59-01	ARM		1	
24	725 24 99-71	SCREW EHHM		2	
25	522 48 72-01	SPACER		2	20